

# Stainless Steel TFL “London Stand”

Part Number ST77

## Features

Commercial heavy-duty specification made from 50.8 diameter tube with a strong 2mm wall thickness incorporating a 3mm thick tapping plate with parking signs.

Fine satin brushed finish to Ra.5 as standard.

Stainless steel construction ensures simple recycling at end of use.



## Options

Manufactured as surface mount bolt down or root fix version for embedding in concrete.

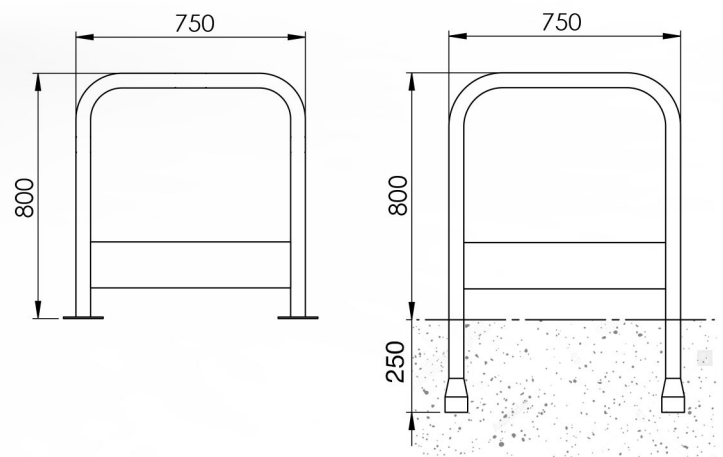
Stainless steel grade 304 or 316.

DDA compliant Rilsan® eco coating available.

Galvanized finish.

Powder coated to any RAL colour.

Reflective tape bands can be yellow, white or red.



### Simbars UK Ltd.

46 Ashton Vale Rd,  
Bristol,  
BS3 2HQ

tel: 0117 953 1444

email: martin@simbars.co.uk

www.simbars.co.uk