

Galvanised TFL “London Stand”

Part Number ST77

Features

Commercial heavy-duty specification made from 48.3mm diameter tube with a strong 3mm wall thickness incorporating a 5mm thick tapping plate with parking signs.

Fully hot dip galvanized after manufacture to BS EN ISO 1461 standard, ensures long lasting corrosion resistance.

All steel construction enables simple recycling at end of use.



Options

Manufactured as surface mount bolt down or root fix version for embedding in concrete.

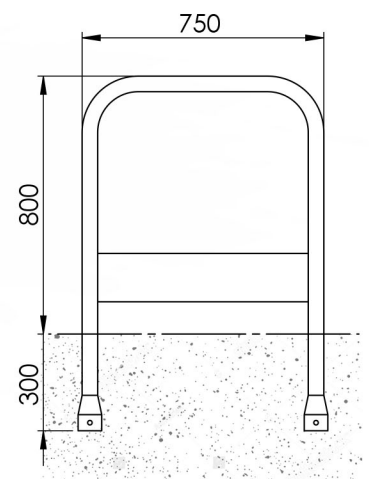
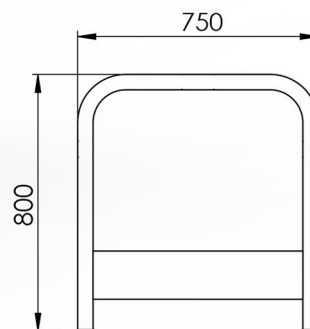
Any height or width can be manufactured.

Powder coated to any RAL colour.

DDA compliant Rilsan® eco coating available.

Reflective tape bands can be yellow, white or red.

Stainless steel versions.



Simbars UK Ltd.

46 Ashton Vale Rd,
Bristol,
BS3 2HQ
tel: 0117 953 1444
email: martin@simbars.co.uk
www.simbars.co.uk