

Wall-Mounted Wheel Rack

Part no: ST74

Features

Robust welded steel construction offering a secure locking point for cycle wheels.

Cycle frames can also be locked with a suitable chain.

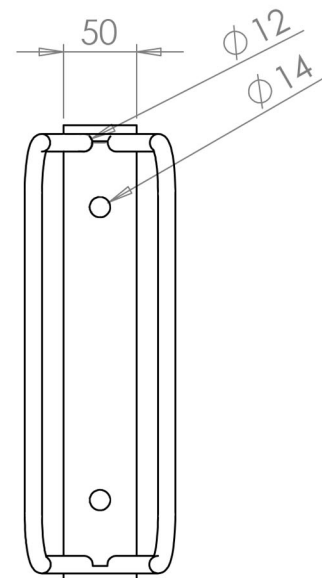
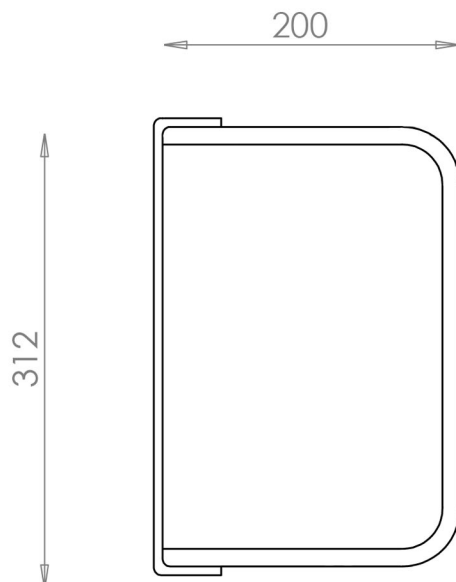
Fully hot dip galvanized to BSENISO 1461 ensuring long-lasting corrosion protection.

Options

- Galvanised and polyester powdercoated
- DDA compliant Black Rilsan® nylon dip coated
- Root fix embedded versions are available

Fixings required

Use M12 diameter anchor bolts.
2 No are required per wheel rack, which can be supplied at extra cost.



Simbars UK Ltd.

46 Ashton Vale Rd,
Bristol,
BS3 2HQ
tel: 0117 953 1444
email: info@simbars.co.uk
www.simbars.co.uk