

# Stainless Steel Large Bullring

Part Number ST24

## Features

A larger more 'beefy' version of our small Bullring Stand with the same interesting features.

Commercial heavy-duty specification made from 60mm diameter tube with a strong 2.5mm wall thickness.

Fine satin brushed finish to Ra.5 as standard.

Stainless steel construction ensures simple recycling at end of use.



## Options

Manufactured as surface mount bolt down or root fix version for embedding in concrete.

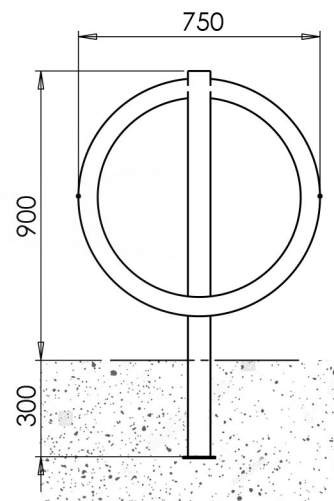
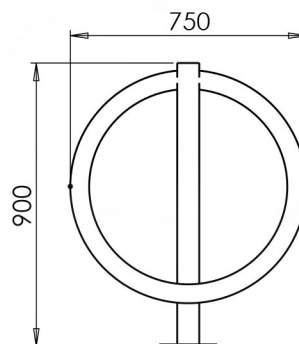
Stainless steel grade 304 or 316.

DDA compliant Rilsan® eco coating available.

Galvanized finish.

Powder coated to any RAL colour.

Reflective tape bands can be applied.



## Simbars UK Ltd.

46 Ashton Vale Rd,  
Bristol,  
BS3 2HQ

tel: 0117 953 1444

email: martin@simbars.co.uk

www.simbars.co.uk