

Stainless Steel Safety Pin Stand

Part Number ST17

Features

Our stylish Safety Pin stand works well where space is limited.

Commercial heavy-duty specification made from 50.8mm diameter tube with a strong 2mm wall thickness.

Fine satin brushed finish to Ra.5 as standard.

Stainless-steel construction ensures simple recycling at end of use.



Options

Manufactured as surface mount bolt down fixing or root fix version for embedding in concrete.

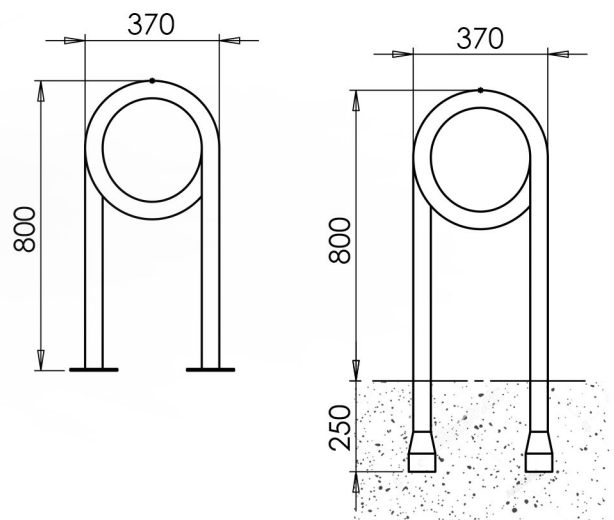
Stainless steel grade 304 or 316 can be specified.

DDA compliant Rilsan® eco coating available.

Galvanized finish.

Powder coated to any RAL colour.

Reflective tape bands can be applied.



Simbars UK Ltd.

46 Ashton Vale Rd,
Bristol,
BS3 2HQ

tel: 0117 953 1444

email: martin@simbars.co.uk

www.simbars.co.uk