

# Rilsan Coated Theta Cycle Stand

Part Number ST15

## Features

Similar to our 'O' Ring, this carefully designed and built cycle stand has an added cross tube for extra secure locking points.

Commercial heavy-duty specification made from 60mm diameter tube with a strong 3mm wall thickness. Cross rail is 50mm diameter.

Rilsan® PA11 nylon coating is forgiving, energy absorbing and therefore non damaging to cycle frames. It is also a DDA compliant finish being "warm to the touch".

Rilsan® nylon provides the perfect long-lasting, abrasion resistant coating with durable corrosion protection.

The steel used in the manufacture of our cycle stands is readily recycled at the end of use.



## Options

Manufactured as surface mount bolt down fixing or root fix version for embedding in concrete.

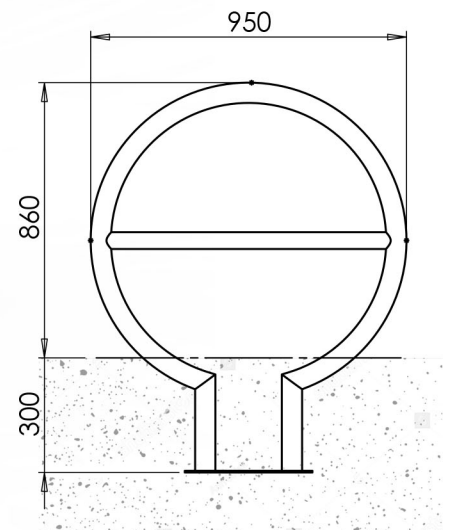
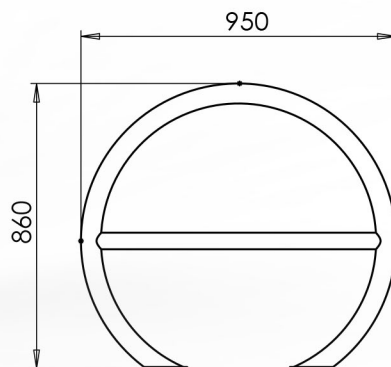
Stainless Steel options.

Galvanized finish.

Galvanized and PPC coated to any RAL colour.

Reflective tape bands can be applied.

50.8mm diameter construction, (60mm diameter is standard).



### Simbars UK Ltd.

46 Ashton Vale Rd,  
Bristol,  
BS3 2HQ

tel: 0117 953 1444

email: martin@simbars.co.uk

www.simbars.co.uk