

Galvanised O Ring Cycle Stand

Part Number ST14

Features

Our O Ring stand is a popular choice for town centres. The beautiful smooth lines give a clean uncluttered contemporary feel.

Constructed using 60mm diameter tube with strong 3mm wall thickness.

Fully hot dip galvanized after manufacture to BS EN ISO 1461 standard, ensures long lasting corrosion resistance.

Steel construction ensures simple recycling at end of use.



Options

Cross rails (tapping tubes) can be added.

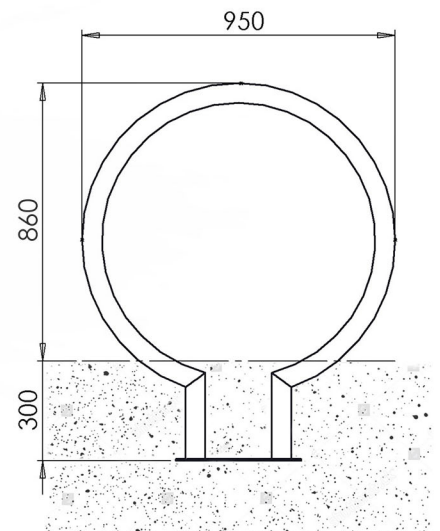
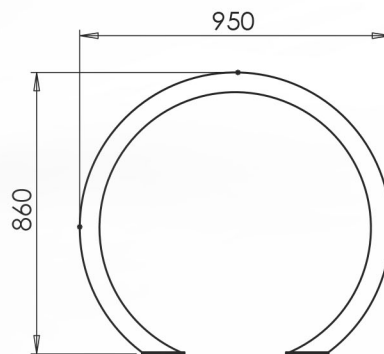
Manufactured as surface mount bolt down or root fix version for embedding in concrete.

DDA compliant Rilsan® eco coating available.

Stainless steel versions.

Powder coated to any RAL colour.

Reflective tape bands can be applied.



Simbars UK Ltd.

46 Ashton Vale Rd,
Bristol,
BS3 2HQ

tel: 0117 953 1444

email: martin@simbars.co.uk

www.simbars.co.uk