

Stainless Steel Tough Love Stand

Part Number ST13

Features

The unique design of Tough Love is a popular alternative for the safe and secure parking of bikes.

This novel design registered stand is user friendly and allows 2 bikes to be locked securely with both front and rear wheels.

Commercial heavy-duty specification made from 50.8 mm diameter tube with a strong 2mm wall thickness.

Fine satin brushed finish to Ra.5 as standard.

Stainless-steel construction ensures simple recycling at end of use.



Registered Design
No 4013484

Options

Manufactured as surface mount bolt down or root fix version for embedding in concrete.

Stainless steel grade 304 or 316.

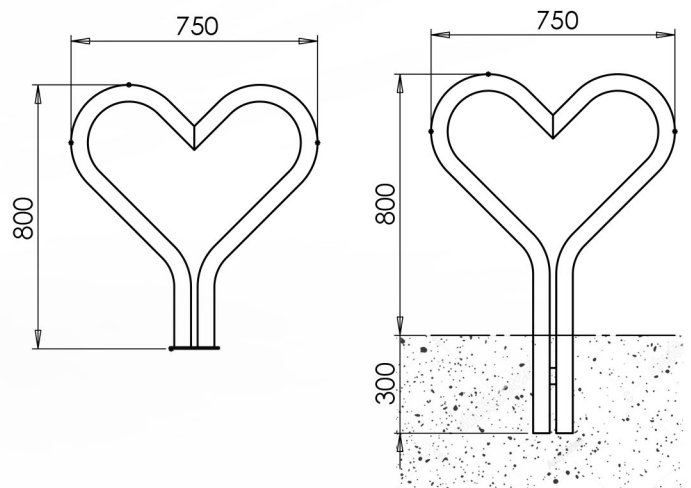
Bright polish finish.

DDA compliant Rilsan® eco coating available.

Galvanized finish.

Powder coated to any RAL colour.

Reflective tape bands can be applied.



Simbars UK Ltd.

46 Ashton Vale Rd,
Bristol,
BS3 2HQ
tel: 0117 953 1444
email: martin@simbars.co.uk
www.simbars.co.uk