

Stainless Steel Fin Stand

Part Number ST119

Features

Smart looking secure cycle parking.

Commercial heavy-duty specification made from 50.8 mm diameter tube with a strong 2mm wall thickness.

Fine satin brushed finish to Ra.5 as standard.

Stainless steel construction ensures simple recycling at end of use.



Options

Manufactured as surface mount bolt down or root fix version for embedding in concrete.

Stainless steel grade 304 or 316.

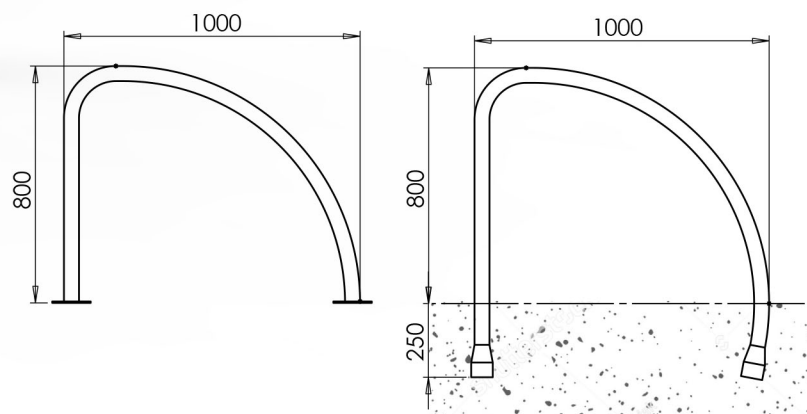
Bright polish finish.

DDA compliant Rilsan® eco coating available.

Galvanized finish.

Powder coated to any RAL colour.

Reflective tape bands can be applied.



Simbars UK Ltd.

46 Ashton Vale Rd,
Bristol,
BS3 2HQ

tel: 0117 953 1444

email: martin@simbars.co.uk

www.simbars.co.uk