

# Galvanised Sheffield Stands

Part Number ST01

## Features

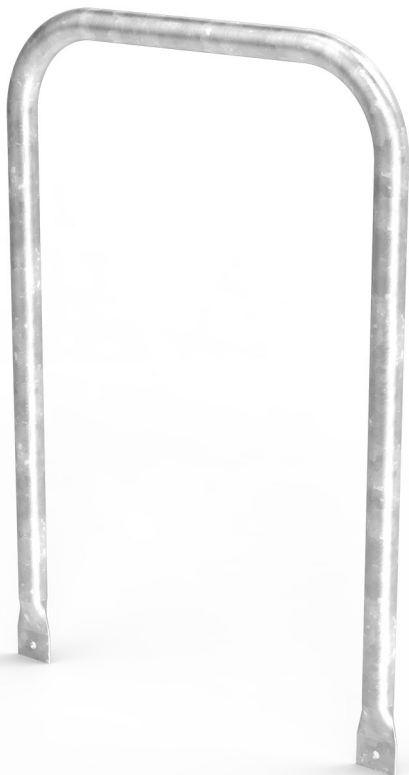
The standard Sheffield, the most popular stand in our range.

Tough, Durable, Cost Effective, Secure Cycle Parking.

Commercial heavy-duty specification made from 48.3mm diameter tube with a strong 3mm wall thickness.

Fully hot dip galvanized after manufacture to BS EN ISO 1461 standard, ensures long lasting corrosion resistance.

All steel construction enables simple recycling at end of use.



## Options

Manufactured as surface mount bolt down or root fix version for embedding in concrete.

Any height or width can be manufactured.

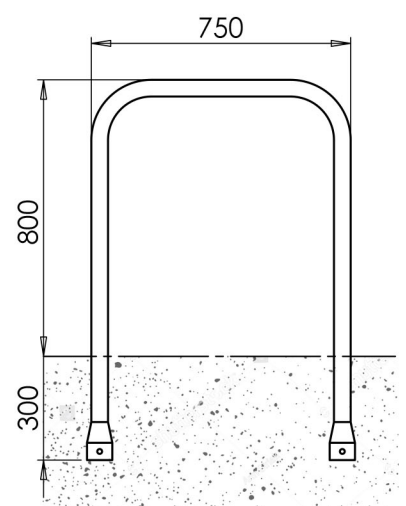
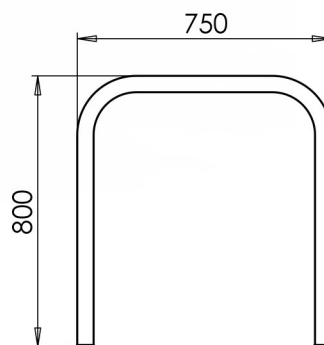
Cross rails (tapping tubes) can be added.

Powder coated to any RAL colour.

Stainless steel versions.

DDA compliant Rilsan® eco coating available.

Reflective tape bands can be applied.



## Simbars UK Ltd.

46 Ashton Vale Rd,  
Bristol,  
BS3 2HQ

tel: 0117 953 1444

email: [martin@simbars.co.uk](mailto:martin@simbars.co.uk)

[www.simbars.co.uk](http://www.simbars.co.uk)