

Stainless Steel Door Protection Barrier

Part Number DP3

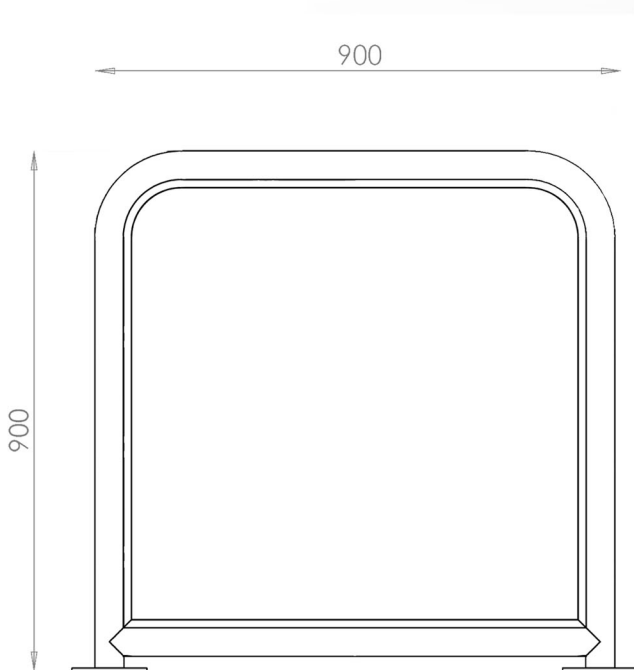
Features

Our most popular door barrier, stainless steel construction and fully glazed utilising our unique child safe “no pinch point” sealed rubber glazing extrusion.

Commercial heavy-duty specification made from 50.8 mm diameter tube with a strong 2mm wall thickness.

Fine satin brushed finish to Ra.5 as standard.

Fully glazed toughened glass utilizing a unique custom extruded rubber seal, which eliminates the possibility of finger trapping. This design also prevents cycle locking, ensuring doorways remain clear.



Fixings required

For bolt-down type, use 10mm diameter anchor bolts. 6 no are required per barrier, which can be supplied at extra cost.

Simbars UK Ltd.

46 Ashton Vale Rd,
Bristol,
BS3 2HQ

tel: 0117 953 1444

email: martin@simbars.co.uk

www.simbars.co.uk

Options

- Unglazed versions can be supplied.
- Manufactured as surface mount bolt down or root fix version for embedding in concrete.
- Stainless steel grade 304 or 316.
- DDA compliant Black Rilsan® nylon dip coated or powder coating to any RAL colour.
- Any width or height can be produced.
- Mountings for door actuation control gear can be added.
- Door buffers can be fitted.
- Robust automatic door catch with integral buffer (please see our separate information details).
- Reflective tape can be applied.