

Stainless Steel Door Protection Barrier

Part Number DP12

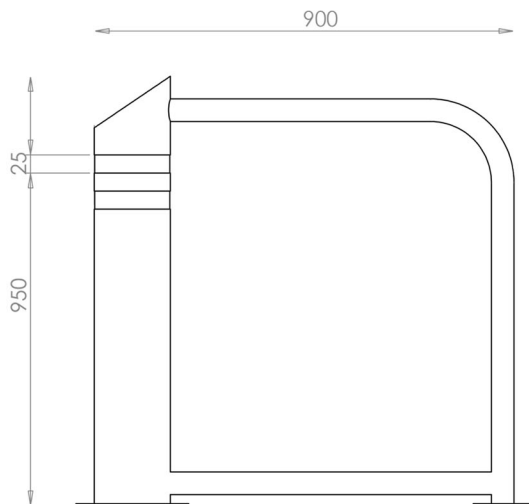
Features

Similar construction to the DP11 bollard door barrier suitable floor-to-floor fixing.

Commercial heavy-duty specification made from 50.8 mm diameter tube with a strong 2mm wall thickness.

Fine satin brushed finish to Ra.5 as standard.

Fully glazed toughened glass utilizing a unique custom extruded rubber seal, which eliminates the possibility of finger trapping. This design also prevents cycle locking, ensuring doorways remain clear.



Options

- Unglazed versions can be supplied
- Manufactured as surface mount bolt down or root fix version for embedding in concrete.
- Stainless steel grade 304 or 316.
- DDA compliant Black Rilsan® nylon dip coated or powder coating to any RAL colour.
- Any width or height can be produced.
- Mountings for door actuation control gear can be added.
- Door buffers can be fitted.
- Robust automatic door catch with integral buffer (please see our separate information details)
- Reflective tape can be applied.

Fixings required

For bolt-down type, use 10mm diameter anchor bolts. 6 no are required per barrier, which can be supplied at extra cost.

Simbars UK Ltd.

46 Ashton Vale Rd,
Bristol,
BS3 2HQ

tel: 0117 953 1444

email: martin@simbars.co.uk

www.simbars.co.uk